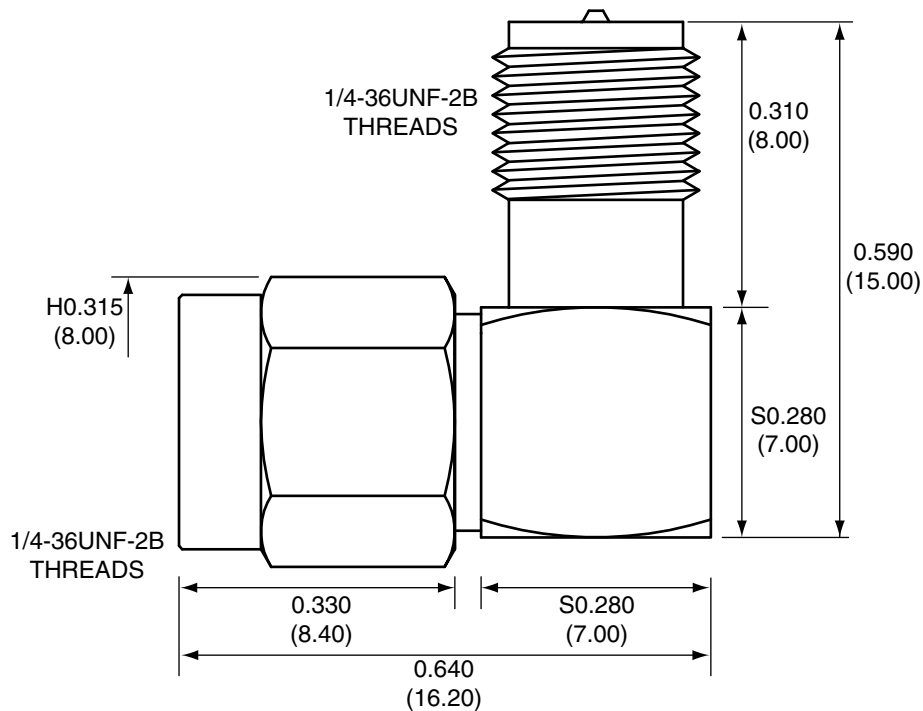


1		
Description	Material	Finish
Body	Brass	Nickel
Pin	PH Bronze	Gold
Insulation	Teflon	Teflon
Gasket	SI Rubber	Rubber
Washer	PH Bronze	Nickel



Title RP-SMA MALE TO RP-SMA  
FEMALE RIGHT ANGLE ADAPTOR

Part No. CONREVSMA010

Revision: 1.0

Dimensions: INCHES (mm)

Date: 6/2/2006

CONNECTOR CITY  
159 ORT LANE  
MERLIN, OR 97532  
PH (541)-471-6256  
FAX (541)-471-6251

Sheet 1 of 1

**CONNECTOR CITY**  
THE VALUE OF CONNECTIONS